



DRAFT

Nothing but **HEAVY DUTY.**



SPS 140

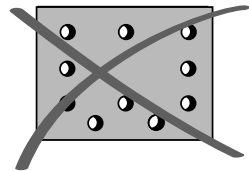
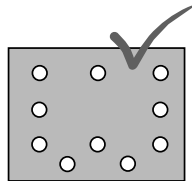
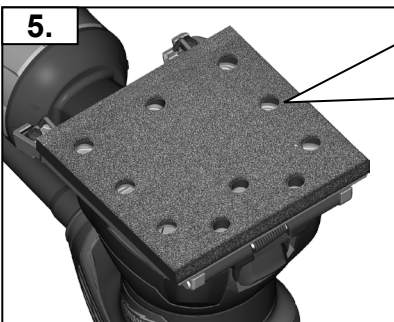
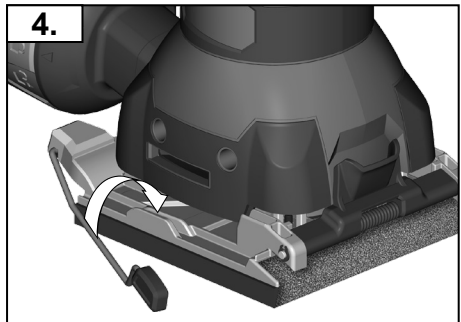
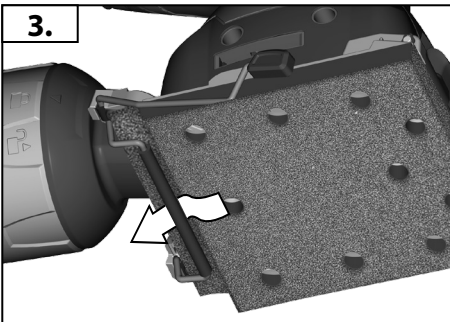
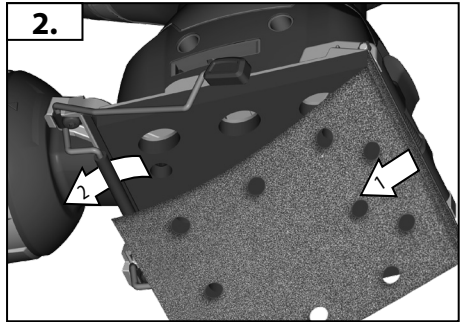
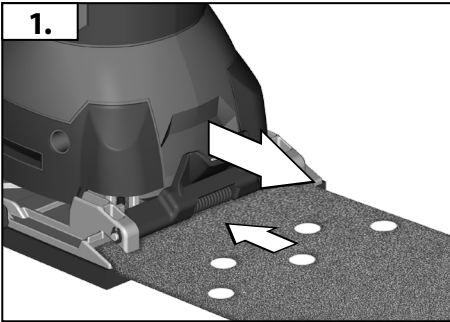
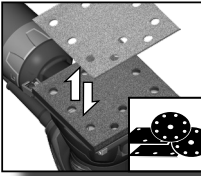
Original instructions

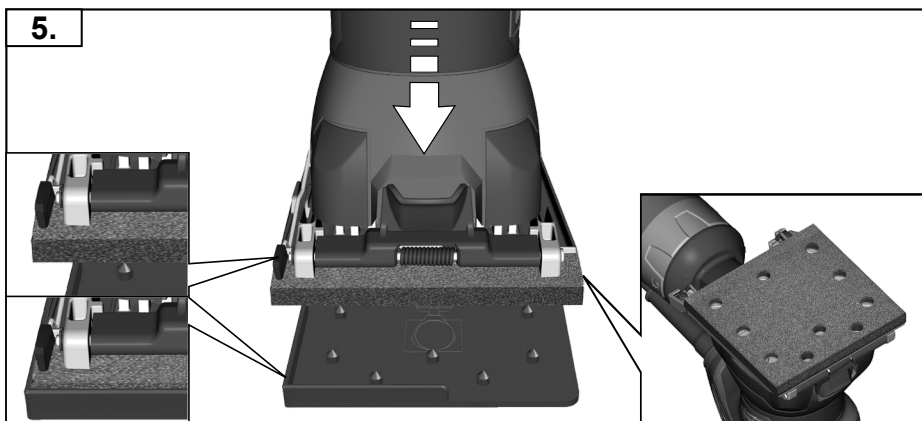
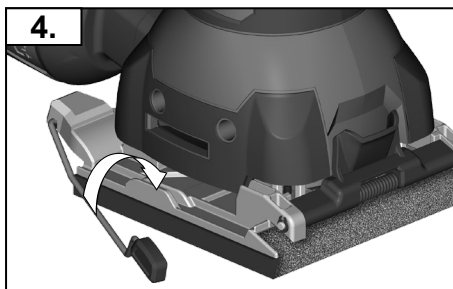
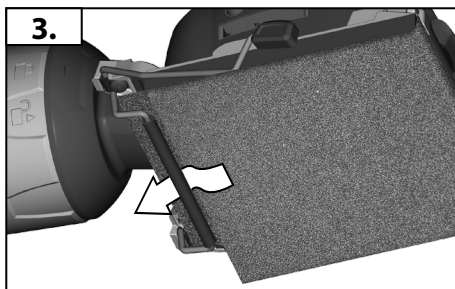
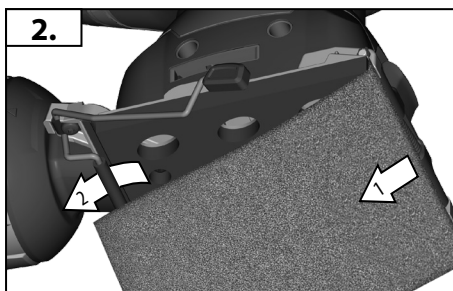
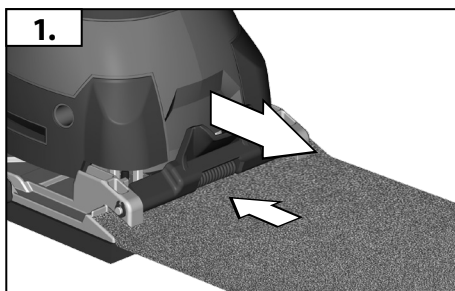
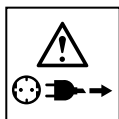
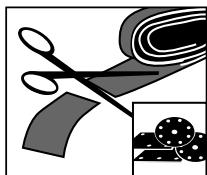
Technical Data, Safety Instructions, Specified Conditions of Use,
EC-Declaration of Conformity, Mains connection, Maintenance, Symbols

Please read and save
these instructions!

8

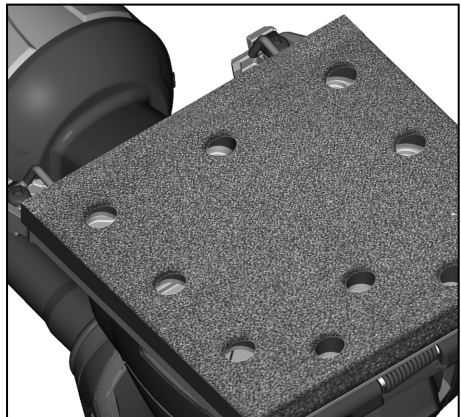
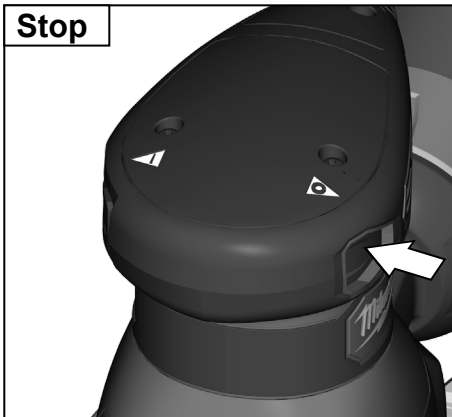
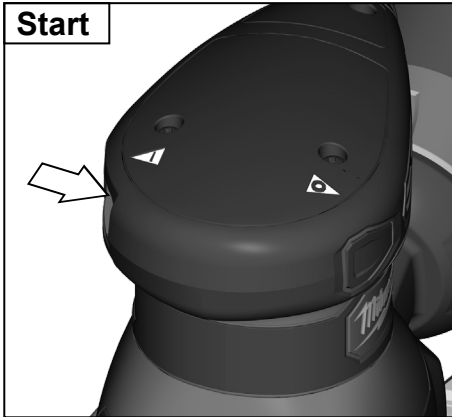


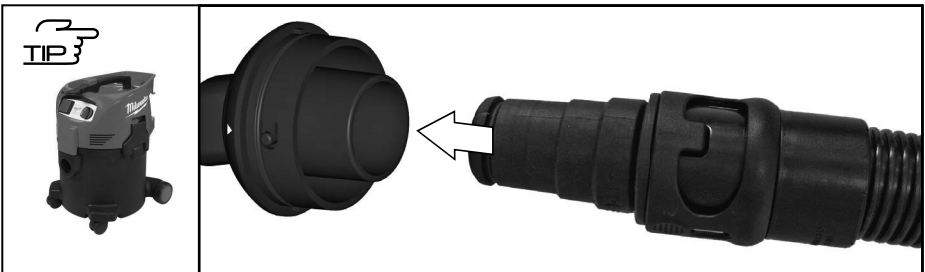
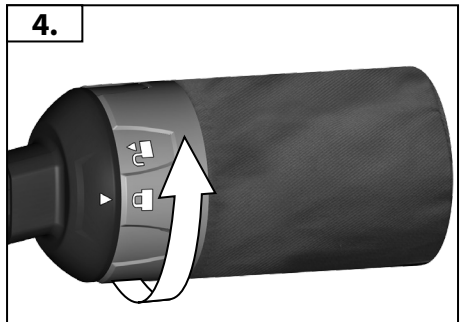
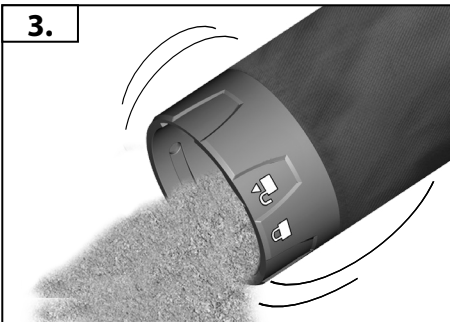
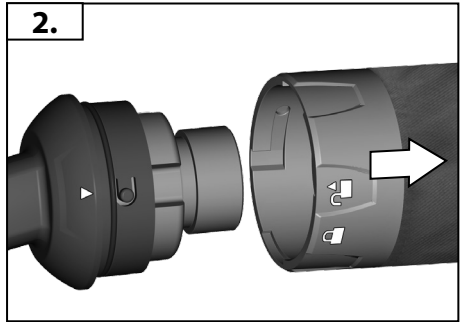
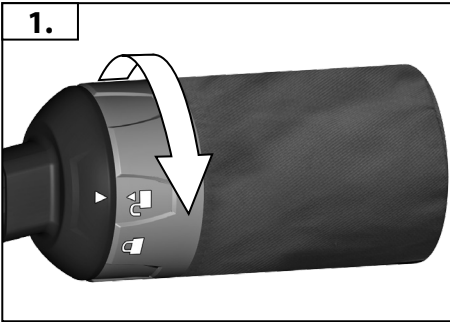
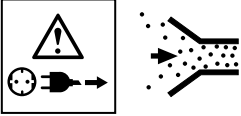
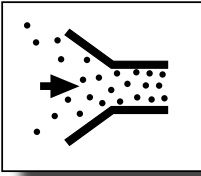


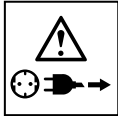
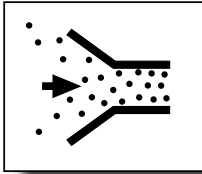




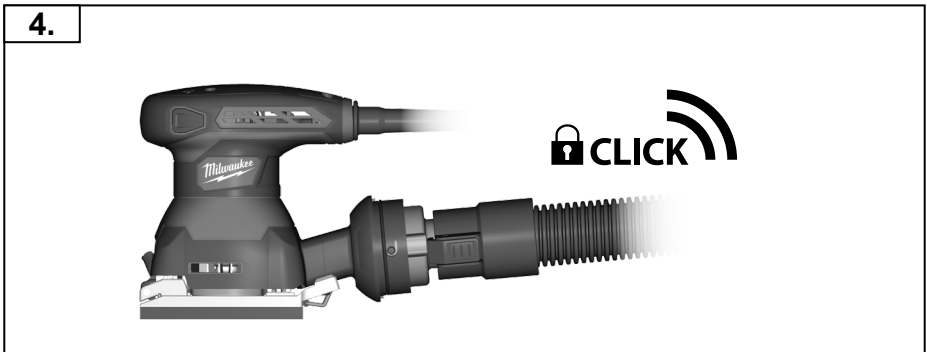
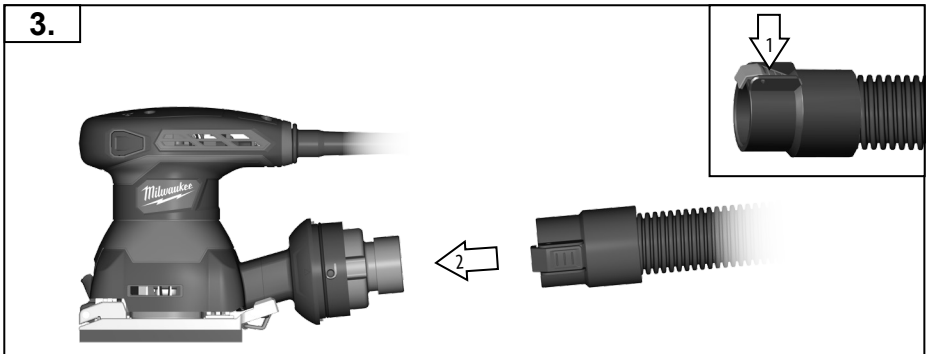
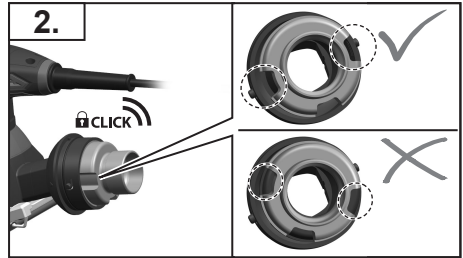
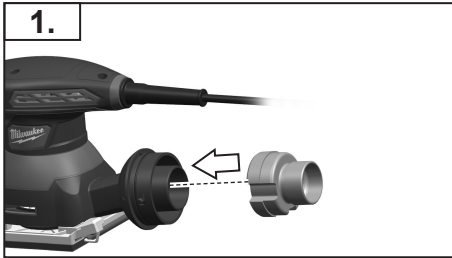
START
STOP
≡

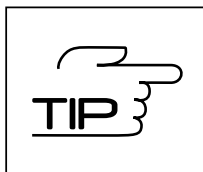






Note: For use with DEK style connectors insert adaptor firmly into the dust extraction port.





TECHNICAL DATA Oscillating sander		SPS 140 220-240 V
Production code	4470 16 01... 4470 26 01... ... 000001-999999	
Frequency	50/60 Hz	
Power input	1,2 A	
Rated input	260 W	
No-load speed	14 700 min ⁻¹	
Orbital travel diameter	1,6 mm	
Dimensions of sanding plate	113 x 105 mm	
Weight according EPTA-Procedure 01/2003	1,6 kg	
Noise/Vibration Information		
Measured values determined according to EN 60 745. Typically, the A-weighted noise levels of the tool are:		
Sound pressure level (Uncertainty K=3dB(A))	79,5 dB (A)	
Sound power level (Uncertainty K=3dB(A))	90,5 dB (A)	
Wear ear protectors!		
Vibration total values (triaxial vector sum) determined according to EN 60745		
Vibration emission value a _v	8,0 m/s ²	
Uncertainty K=	1,5 m/s ²	



WARNING

The vibration emission level given in this information sheet has been measured in accordance with a standardised test given in EN 60745 and may be used to compare one tool with another. It may be used for a preliminary assessment of exposure.

The declared vibration emission level represents the main applications of the tool. However if the tool is used for different applications, with different accessories or poorly maintained, the vibration emission may differ. This may significantly increase the exposure level over the total working period.

An estimation of the level of exposure to vibration should also take into account the times when the tool is switched off or when it is running but not actually doing the job. This may significantly reduce the exposure level over the total working period.

Identify additional safety measures to protect the operator from the effects of vibration such as: maintain the tool and the accessories, keep the hands warm, organisation of work patterns.

⚠ WARNING!

Read all safety warnings and all instructions. Failure to follow the warnings and instructions may result in electric shock, fire and/or serious injury.

Save all warnings and instructions for future reference.

⚠ SANDER SAFETY WARNINGS

Wear ear protectors. Exposure to noise can cause hearing loss.

Appliances used at many different locations including wet room and open air must be connected via a residual current device (FI, RCD, PRCD) of 30mA or less.

Always wear goggles when using the machine. It is recommended to wear gloves, sturdy non slipping shoes and apron.

Before doing any maintenance work on the machine, pull the plug out of the socket.

Make sure the machine is switched off before plugging in.

Keep mains lead clear from working range of the machine. Always lead the cable away behind you.

Before use check machine, cable, and plug for any damages or material fatigue. Repairs should only be carried out by authorised Service Agents.

The dust produced when using this tool may be harmful to health. Do not inhale the dust. Use a dust absorption system and wear a suitable dust protection mask. Remove deposited dust thoroughly, e.g. with a vacuum cleaner.

Do not machine any materials that present a danger to health (e.g. asbestos).

This machine is suitable only for dry sanding.

MAINS CONNECTION

Connect only to single-phase AC system voltage as indicated on the rating plate. It is also possible to connect to sockets without an earthing contact as the design conforms to safety class II.

SPECIFIED CONDITIONS OF USE

The orbital sander can be used for sanding wood, plastics and metal.

MAINTENANCE

The ventilation slots of the machine must be kept clear at all times.

Use only **MILWAUKEE**® accessories and spare parts. Should components need to be replaced which have not been described please contact one of our Milwaukee service agents (contact **MILWAUKEE**® Customer Service or visit our website for a list of guarantee/service addresses).

If needed, an exploded view of the tool can also be ordered. Please state the Article No. as well as the machine type printed on the label and order the drawing at your local service agents or directly from:

MILWAUKEE® customer service centre

(Australia Toll Free Telephone Number 1300 361 505)

(New Zealand Toll Free Telephone Number 0800 279 624)

or visit www.milwaukeetools.com.au / www.milwaukeetools.co.nz.

SYMBOLS



CAUTION! WARNING! DANGER!



Please read the instructions carefully before starting the machine.



Before doing any work on the machine, pull the plug out of the socket.



Do not use force.



Accessory - Not included in standard equipment, available as an accessory.



Regulatory Compliance Mark (RCM).
Product meets applicable regulatory requirements.



Do not dispose of electric tools together with household waste material. Electric tools and electronic equipment that have reached the end of their life must be collected separately and returned to an environmentally compatible recycling facility. Check with your local authority or retailer for recycling advice and collection point.



Class II tool. Tool in which protection against electric shock does not rely on basic insulation only, but in which additional safety precautions, such as double insulation or reinforced insulation, are provided. There being no provision for protective earthing or reliance upon installation conditions.



WARRANTY - AUSTRALIA and NEW ZEALAND

Please refer to AUSTRALIAN and NEW ZEALAND warranty supplied with tool. This warranty applies only to product sold in Australia and New Zealand.

**AUSTRALIA AND NEW ZEALAND
MILWAUKEE® Service**

MILWAUKEE® prides itself in producing a premium quality product that is Nothing But Heavy Duty®. Your satisfaction with our products is very important to us! If you encounter any problems with the operation of this tool, please contact your authorised MILWAUKEE® dealer.

For a list of MILWAUKEE® dealers, guarantee or service agents please contact MILWAUKEE® Customer Service or visit our website.

(Australia Toll Free Telephone Number 1300 361 505)

(New Zealand Toll Free Telephone Number 0800 279 624) or visit www.milwaukeetools.com.au / www.milwaukeetools.co.nz.

MILWAUKEE ELECTRIC TOOL CORPORATION

13135 West Lisbon Road • Brookfield, Wisconsin, U.S.A. 53005

MILWAUKEE ELECTRIC TOOL CORPORATION (Australia)

Techtronic Industries (Australia) Pty. Ltd.
Doncaster, Victoria, Australia, 3108

MILWAUKEE ELECTRIC TOOL CORPORATION (New Zealand)

Techtronic Industries (New Zealand) Pty. Ltd.
Auckland, New Zealand, 1060

Professionally made in China for Milwaukee Electric Tool Co